



By Ishida

Label Printing Scales

The Hanging Scale

Introducing the Linerless Hanging Scale:
the latest addition to our Eco-warrior retail arsenal!



With an effortless carry handle and battery operation that lasts 300 hours, this hanging scale is a game-changer! With a capacity of 30kg-200kg, an RS-232C Interface, a white backlight, a detachable display, and auto power-off and zero tracking, it's perfect for anyone on the go.

This handy gadget is a match made in heaven for home delivery services, farms, dried fish, fruit and veggie shops, meat processing companies, hospitals, schools, and even fitness centres! And, as if that wasn't enough, the PB can connect to printers or PCs via the RS-232C interface. Get ready to weigh and go!



Hanging Scale Display

Features:

- Designed with your comfort in mind, so you can weigh with ease.
- Sleek, space-saving, and customizable - this scale system is the bee's knees.
- Say goodbye to complicated installations and hello to seamless integration with other scales.
- With our trusty teflon-coated mechanisms, you'll never have to worry about pesky adhesive sticking to your parts.
- We're all about being eco-friendly, and our linerless label with zero backing paper proves it!
- Not only are our linerless labels better for the environment, but they'll also save you a pretty penny in the long run.
- No matter how much info you need to print, our linerless paper can handle it all with variable print lengths.

www.avocetscales.co.za

Follow us on Social Media @



enquiries@avocetsa.co.za

Don't hesitate, give us a shout today!
Snag a FREE demo by reaching out!
We've got all your weighing, printing, labelling, and barcoding needs covered, whether you're a retail rebel or an industrial giant.



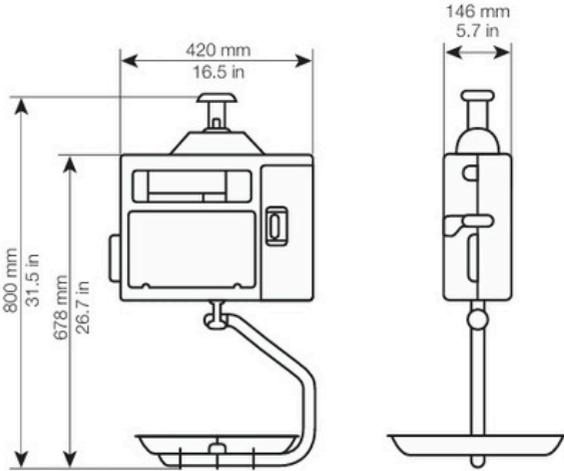


By Ishida

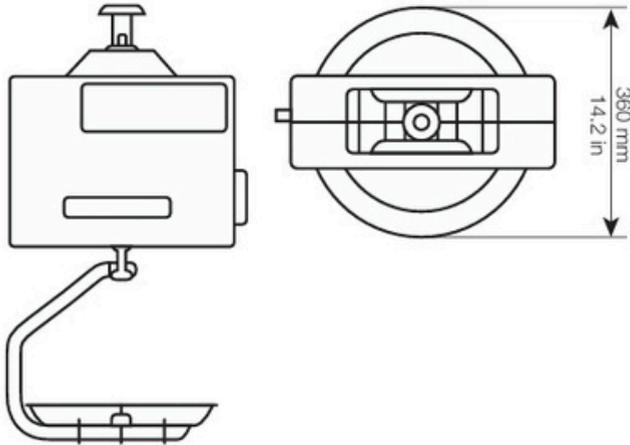
Label Printing Scales

The Hanging Scale

Introducing the Linerless Hanging Scale:
the latest addition to our Eco-warrior retail arsenal!



Dimensions:



www.avocetscales.co.za

Follow us on Social Media @



enquiries@avocetsa.co.za

Don't hesitate, give us a shout today!
Snag a FREE demo by reaching out!
We've got all your weighing, printing, labelling,
and barcoding needs covered, whether you're a
retail rebel or an industrial giant.



* Specifications & information can change at any time without prior notice. T's & C's Apply! Images are not to scale*