



Portion Scales The SWII-W

By CAS

SWII-W - the reliable and long-lasting solution for damp settings like seafood markets and food processing plants.



Features:

- Perfect for damp environments
- Lightning-speed operation with sky-high accuracy
- Small, smart, and seamless display
- Easy to carry and take on the go
- Rust-resistant stainless steel tray
- Goes easy on your wallet with automatic power and standby modes

Meet the SWII-W, the ultimate damp-proof scale that's a breeze to carry and lightning-fast to operate. With a stabilization time of under 0.6 seconds, you'll get speedy and precise readings every time. Perfect for damp environments like food processing or fish markets, this scale is built to last.

www.avocetscales.co.za

Follow us on Social Media @



enquiries@avocetsa.co.za

Don't hesitate, give us a shout today!
Snag a FREE demo by reaching out!
We've got all your weighing, printing, labelling, and barcoding needs covered, whether you're a retail rebel or an industrial giant.

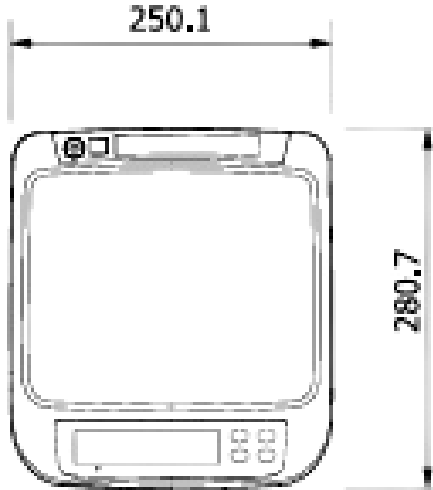




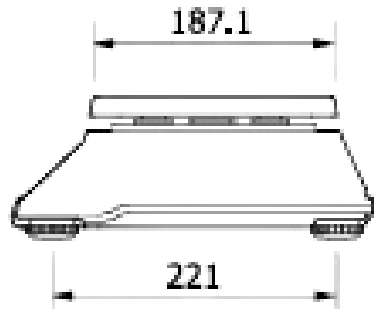
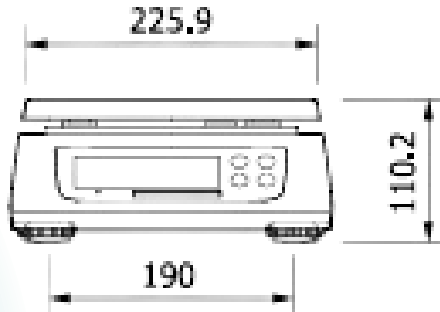
Portion Scales The SWII-W

By CAS

SWII-W - the reliable and long-lasting solution for damp settings like seafood markets and food processing plants.



Dimensions:



www.avocetscales.co.za

Follow us on
Social Media @



enquiries@avocetsa.co.za

Don't hesitate, give us a shout today!
Snag a FREE demo by reaching out!
We've got all your weighing, printing, labelling,
and barcoding needs covered, whether you're a
retail rebel or an industrial giant.

