



By CAS

Platform Scales The IW Series:

Wash-down, speed, durability and portable.
Meeting all your needs for a wet environment.

Introducing the tough-as-nails IW series, built with stainless steel muscles and waterproof armour, perfect for a wide array of food processing jobs!

From fishing and farming to selling and buying, these heavy-duty weighing units can take on any challenge and come out sparkling clean with just a splash of water.

But wait, there's more!

The IW series comes with a large and easy-to-read display that's an absolute breeze to use, no matter your skill level. With a variety of weighing capacities, these units can handle small or large batches of products, from crispy cucumbers to juicy salmon.

And with their stellar accuracy and reliability, you can bet that your food processing operations will run like a well-oiled machine. Fresh or frozen, the IW series is your trusty sidekick for all things weighing!



Features:

- The IW Series! Not only is this sleek machine a pro at checking weight limits, but it also loves to connect with other equipment through its cool RS-232C interface.
- Perfect for all kinds of products, the weighing range is super flexible.
- Plus, with three display windows and a user-friendly keypad, it's easy to operate.
- Let's not forget about the big, bold fluorescent display that's easy on the eyes.
- Oh, and did we mention this trusty gadget has a whopping 1,000-hour battery life? Yes, you read that right! No need to worry about loadshedding.

www.avocetscales.co.za

Follow us on
Social Media @



enquiries@avocetsa.co.za

Don't hesitate, give us a shout today!
Snag a FREE demo by reaching out!
We've got all your weighing, printing, labelling,
and barcoding needs covered, whether you're a
retail rebel or an industrial giant.



* Specifications & information can change at any time without prior notice. T's & C's Apply! Images are not to scale*

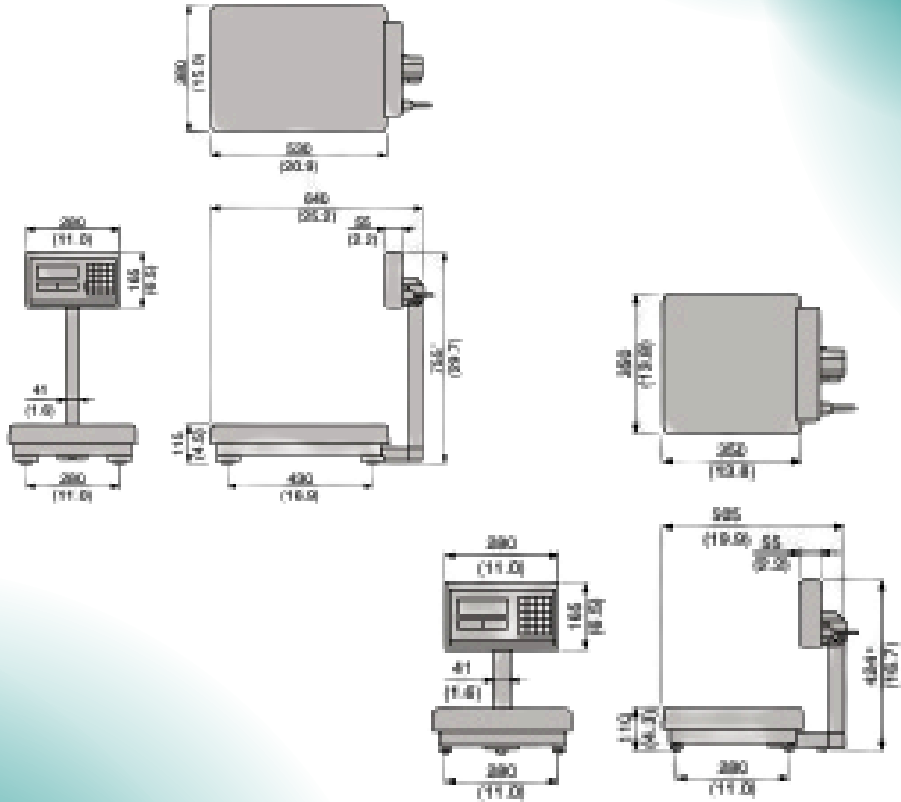


Platform Scales The IW Series:

By CAS

Wash-down, speed, durability and portable.
Meeting all your needs for a wet environment.

IWQ-150



www.avocetscales.co.za

Follow us on
Social Media @



enquiries@avocetsa.co.za

Don't hesitate, give us a shout today!
Snag a FREE demo by reaching out!
We've got all your weighing, printing, labelling,
and barcoding needs covered, whether you're a
retail rebel or an industrial giant.

